

ARE YOUR DECKPLATES THIS WATERTIGHT?

Armstrong Deckplates Completely Seal Against Water Intrusion.

PROTECT YOUR BOAT, YOUR EQUIPMENT AND YOUR REPUTATION WITH AN ARMSTRONG WATERTIGHT DECKPLATE!



Behind Bulkheads



Radar Arches



Wireways



Motor Wells

SLASH COSTS!

- No trim ring to install
- No fasteners
- No sealant or caulking
- No clean-up
- No lost, broken or dirty parts
- Easy installation
- Tool-free operation

**Colors:
Black, Cream
or White**

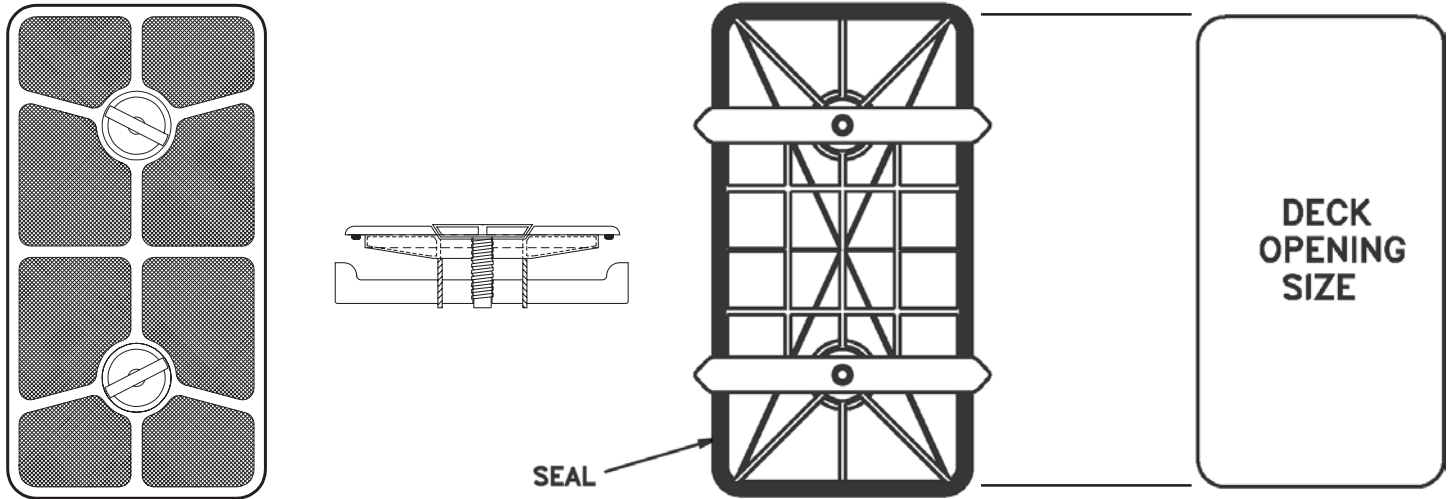
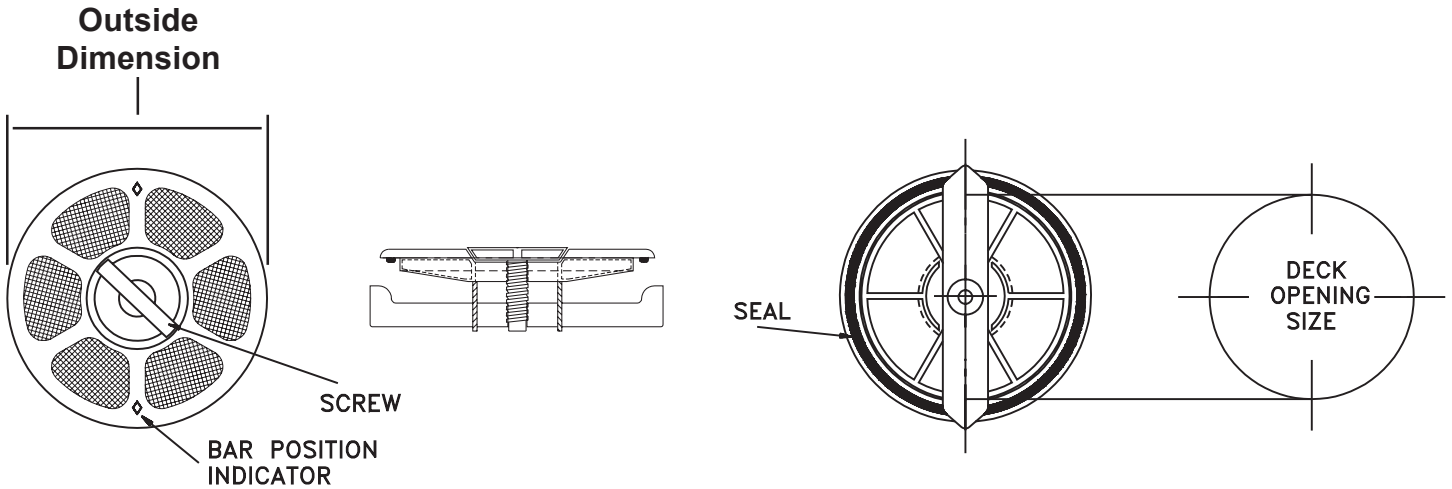


3140 S. E. Dominica Terrace
Stuart, FL 34997
www.armstrongnautical.com



**Made in
the USA**

Deckplate Assembly View and Dimensions



Deckplate Assembly View and Dimensions

Model	Outside Dimension	Deck Opening Size
DP-6	8 Inches	6.75 Inches
DP-8	10 Inches	8.75 Inches
DP-10	12 Inches	10.75 Inches
DP-10x20	11.25 x 21.25 Inches	10 x 20 Inches with radius corners

Watertight Seal Technical Data

Oil Resistance	Fuel Resistance	Weather Aging	Oxidation	Heat Aging	Water Swell Resistance	Flame Resistance
F/G	F/G	X/G	X	X/G	X/G	P/G

X = Excellent G = Good F = Fair P = Poor

Deckplate Structural Material

Mechanical	Property	ATSM Test Method	Values	Units
	Tensile Strength	D638	3,000 (21)	psi (MPa)
Flex Modulus	D790	200,000 (1,379)	psi (MPa)	
Izod Impact	D256	1.7 (91)	ft-lbs/in (J/m)	
Weatherability	Accelerated Interior Weathering	SAE J1885	Delta E < 3.0	n/a



3140 S. E. Dominica Terrace
Stuart, FL 34997

www.armstrongnautical.com

(800) 226-7204 • (772) 286-7204
FAX (772) 288-1339

ARMSTRONG vs. Brand "X" Deckplate Installation Comparison

