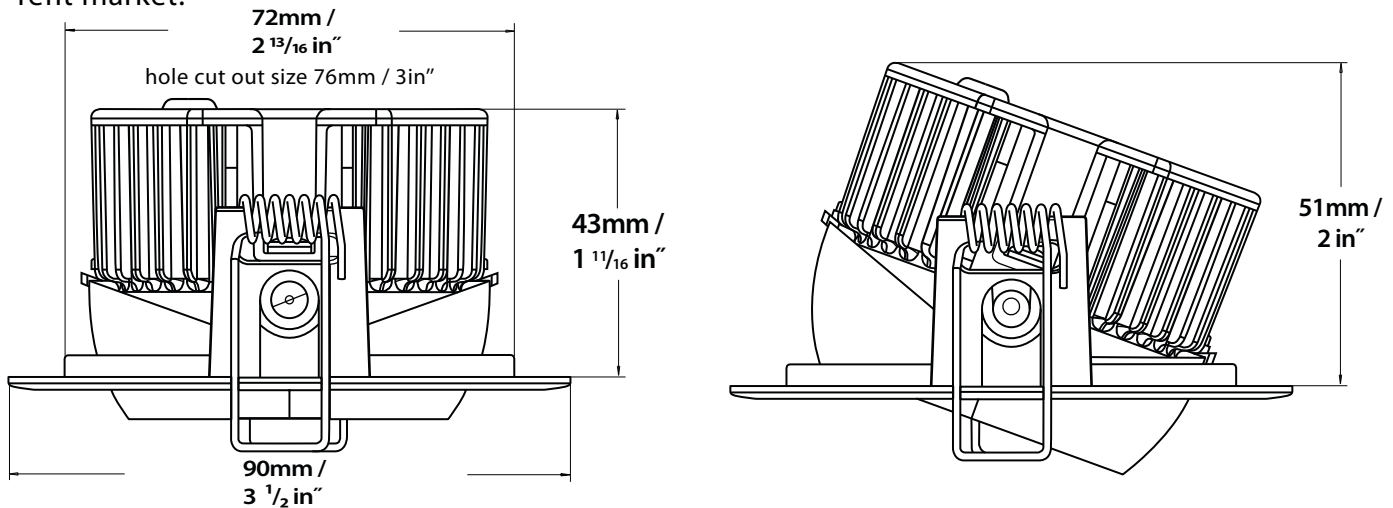


Interior Gimbal Flushmount

The Aqualuma interior light range combines beauty, functionality, and longevity and offers cost effective solutions to marine interior lighting that has not been seen before.

For the first time there is an option to install an LED light fitting that will outperform a 20w halogen in every way, including higher light output, wider light spread, lower heat emission and a substantial reduction in current draw.

This range gives boat manufacturers the ability to reduce weight through reductions in wiring looms, battery storage and the number of fittings required. The entire range is also suited to the retro and refit market.



Gimbal Flushmount Specifications

- ⊕ Market leading light illumination spread
- ⊕ 12-24 VDC
- ⊕ >.5 AMP @ 12 VCD
- ⊕ On board inteligent driver
- ⊕ 0-100% dimming
- ⊕ 4000k neutral white colour temp
- ⊕ 3 year warranty
- ⊕ Unique gimbal profile to allow for small cavity install
- ⊕ O-ring seal on lens = no rattle

Options

Chrome / White / Gold trim options.

Colour shift control

Warm to neutral -
neutral to red (helm / driving station).

This option allows you to change the colour temperature of the light from 4000k to a warm mood colour as it is dimmed using the Aqualuma inteligent dimming control system.



Aqualuma Marine Lighting

Gold Coast, Queensland, Australia

info@aqualuma.com www.aqualuma.com